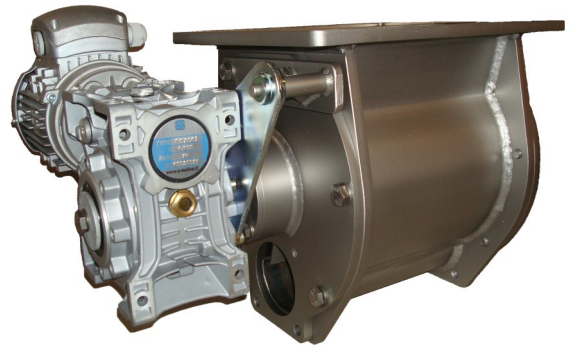




**ALBJERG  
SLUSER**

**STENSTRUP**

**[www.maskintec.dk](http://www.maskintec.dk)**



**Albjerg Rotary Valves - Blow through**  
**Albjerg Rotary Valves - Fall through**

---

**Albjerg's Maskintec A/S**

Gl. Sognevej 3 • DK-5771 Stenstrup • +45 6226 2491 • [info@maskintec.dk](mailto:info@maskintec.dk) • [www.maskintec.dk](http://www.maskintec.dk)

## Construction and choice of materials

### Housing / End covers

- » Cast iron
- » Construction steel S235 (St. 37-2)
- » Stainless steel (AISI 304)
- » Stainless steel (AISI 316)

### Coating of housing / end covers

- » Hård chrome
- » Zink-chromit

### Sealings

- A** Oil seal
- B** Stuffing box
- C** Stuffing box with med air seal

### Rotor

- » Construction steel S235 (St. 37-2)
- » Construction steel S355 (St. 37-2)
- » Stainless steel (AISI 304)
- » Stainless steel (AISI 316)

### Rotor additional

- » Vulkollan scraper

### Coating of rotor

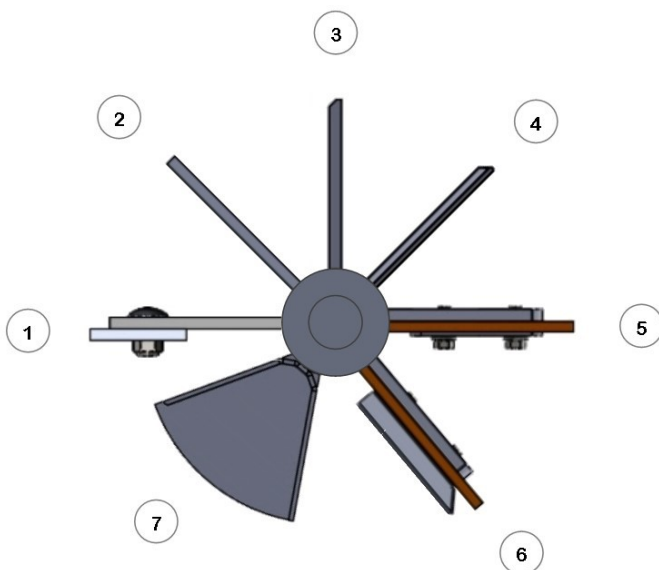
- » Anodizing (Epoxy coating)

### Drive

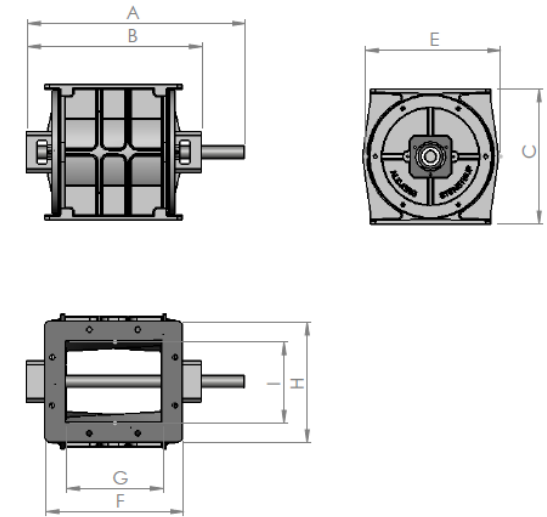
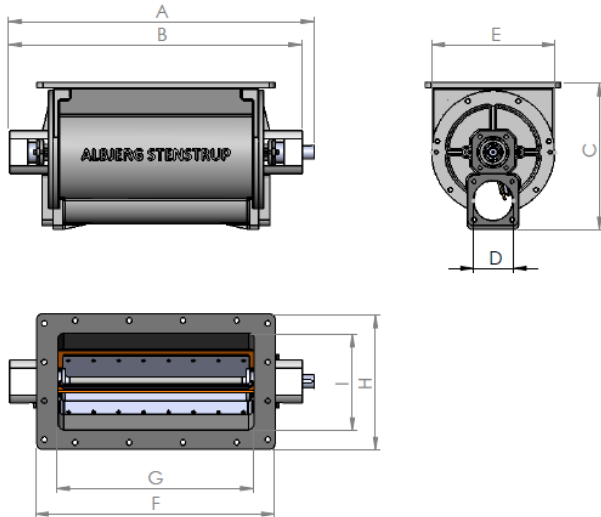
- » Gear motor (electric)
- » Chain drive
- » Hydraulic driven

### Wing types

1. Hardened steel wing
2. Rotor wing
3. Rotor wing chamfered top
4. Rotor wing chamfered all sides
5. Vulkollan
6. Vulkollan with scraper plate
7. Rotor wing with end plate



**Rotary Vales - Blow through**



**Dimensions (mm)**

**Rotary Valve**

*Blow through*

	A	B	C	D	E	F	G	H	I	Cap. **
AMGB 7/220 *	454	322	301	Ø76 (2,5")	265	310	205	270	180	7
AMGB 18/255	792	760	380	Ø104 (4")	320	620	510	350	250	18
AMGB 39/340	669	614	483	Ø126 (5")	408	620	510	350	250	39
AMGB 41/340 *	664	618	470	Ø154 (6")	408	620	510	350	250	41
AMGB 78/476 *	813	749	604	Ø154 (6")	550	620	510	450	350	78

*Fall through*

AMGF 3/190 *	410	260	248	-	220	190	108	190	108	3
AMGF 7/220	430	362	280	-	280	285	200	250	168,5	7
AMGF 11/270	630	506	380	-	340	Ø280 / 320	Ø200 / 240	180	260	11
AMGF 23/350 *	650	475	490	-	420	Ø330 / 330	Ø250 / 250	330	250	23
AMGF 39/340 *	905	740	450	-	405	620	510	350	250	39

\* Welded construction

\*\* Capacity (litres/turn)



## Applications

Albjerg Rotary Valves are used for a series of purposes with in pneumatic transport.

Rotary Valves are, among other things used for transport of grain and feed, wood chips, wood pellets and shavings, leca, fertilizers and granulates, as well as products for the food industry.

Rotary Valves are useful for mobile applications installed on trucks, containers, trailer, etc., and for stationary systems mainly in the industrial sector.

Rotary Valves are produced for different drives. Oil motor or gear are the most common applications.

Albjerg Rotary Valves are available in standard sizes or as flexible models, designed and produced in close cooperation with our customer. Standard models are available in cast iron, other models can be produced in various steel materials adapted for use by the customer.

Albjerg Rotary Valves are reliable and produced in materials of best quality.

## Production

Albjerg Rotary Valves are produced and mounted on our plant in Stenstrup, Southern Funen.

All of our products are checked systematically throughout the production line, to ensure the correct quality. Products are tested before they are mounted or shipped to the customer.

We manufacture and process parts for production and assembly in our blacksmith and machine shop, which include CNC milling and turning machines, drilling machine, drill presses and hydraulic press with all the relevant fittings. Our blacksmiths carries out work in steel, stainless steel and aluminium.

We design and produce custom products in close cooperation with our customers.



## Contact

Please contact us to know more about our products or an informal talk to help You on Your way!

Lars Pommerencke: lp@maskintec.dk  
Peder Albjerg: pa@maskintec.dk